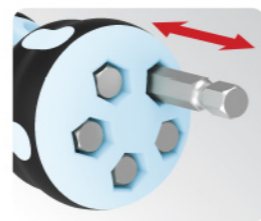
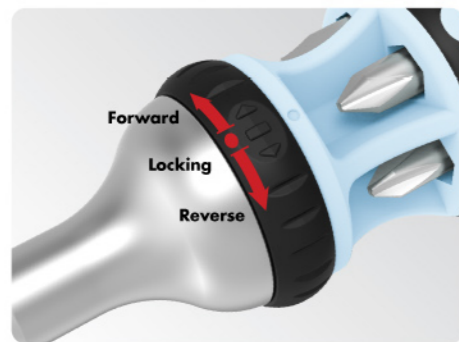


STUBBY MULTI BIT RATCHET SCREWDRIVER

**COMFORT
ERGONOMICS
MULTIPLE-PURPOSE
DURABILITY**

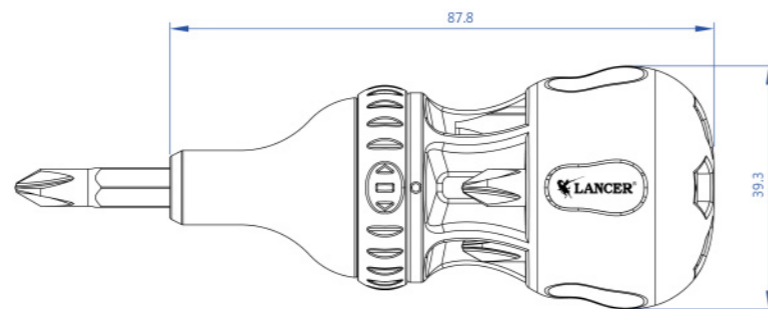
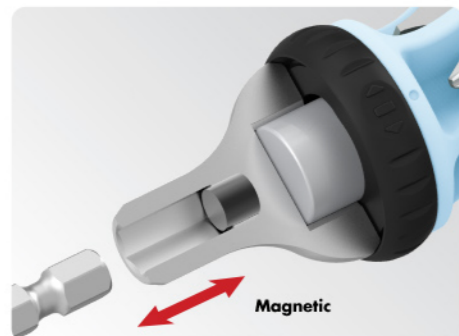
- T1000 series ergonomic handle reduces user fatigue after using for long period.
- Innovative and dexterous handle design allows users to operate in confined spaces.
- Revolver style bit storage for 5 pieces of high quality bits; easy to read tip selection windows for fast bit changes.
- High torque ratchet mechanism brings higher efficiency to the works.
- Smart ratchet supports free turning ratchet with integrated switch for forward, locking, and reverse operations.
- The 1/4" hex bits can be used to work with power tools.



Smart bits storage make it easier to see the bit tips and convenient for bit changes.

Revolver style bit storage for 5 pieces of high quality bits.

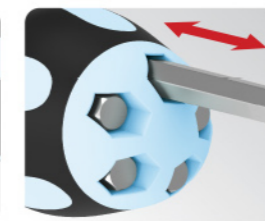
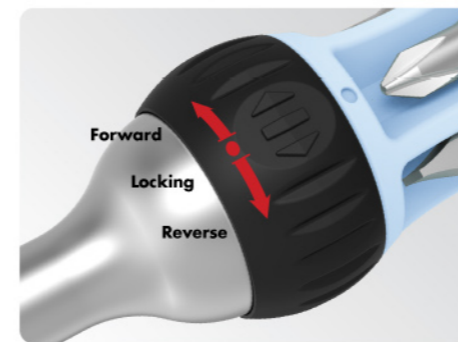
The 1/4" hex bits can be used to work with power tools.



MULTI BIT RATCHET SCREWDRIVER

**COMFORT
ERGONOMICS
MULTIPLE-PURPOSE
DURABILITY**

- T1000 series ergonomic handle reduces user fatigue after using for long period.
- Innovative handle design.
- Revolver style bit storage for 5 pieces of high quality bits; easy to read tip selection windows for fast bit changes.
- High torque ratchet mechanism brings higher efficiency to the works.
- Smart ratchet supports free turning ratchet with integrated switch for forward, locking and reverse operations.
- The 1/4" hex long bits allow users to operate in an extended distance. The bits can also be used to work with power tools.



Smart bits storage make it easier to see the bit tips and convenient for bit changes.

Revolver style bit storage for 5 pieces of high quality bits.

The 1/4" hex long bits allow users to operate in an extended distance. The bits can also be used to work with power tools.

